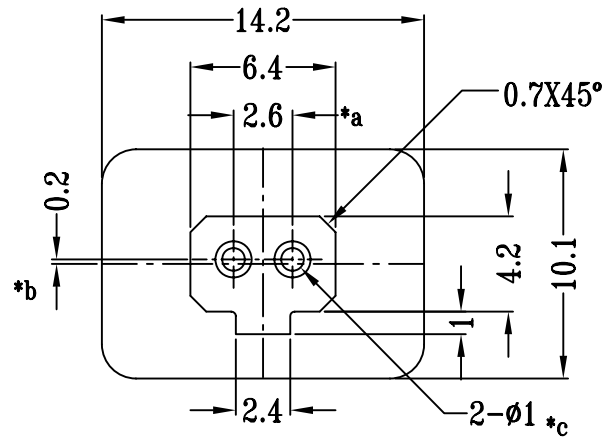
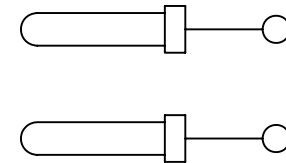


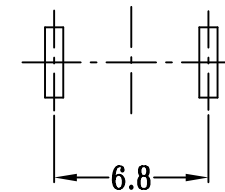
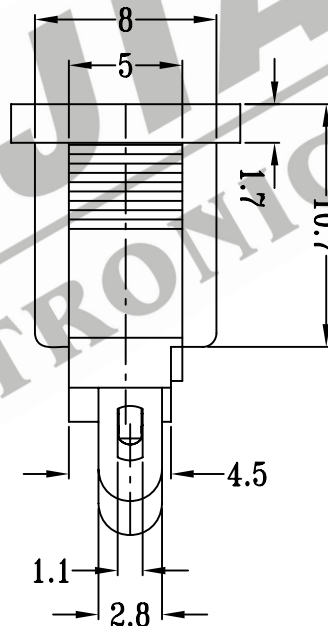
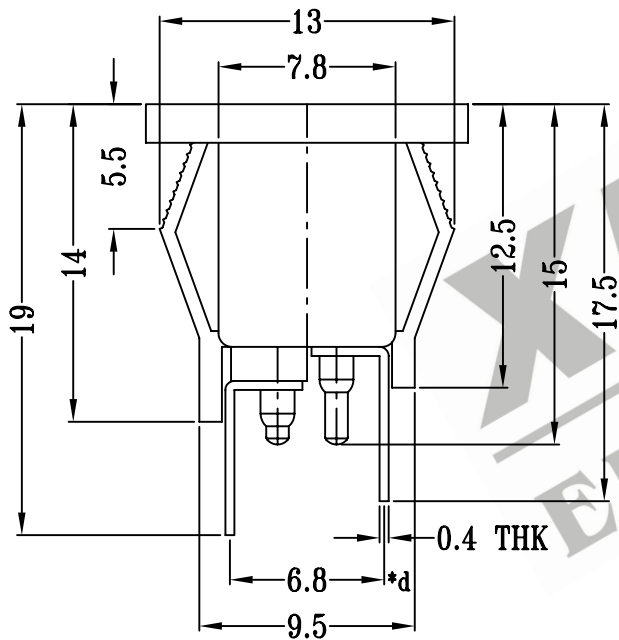
CAD FILE:



DIAM. OF PIN \*E = 1.0 MM



SCHEMATIC



P.C.B LAYOUT

注:带\*表示关键尺寸(4个)

8					TOLERANCE UNLESS SPECIFIED	SHENZHEN XIEJIA ELECTRONICS CO.,LTD.				
7										
6					WITHIN: 1.5±0.1mm OVER: 1.5±0.2mm	A				
5						ISSUE	DATE	DESCRIPTIONS OF REVISION		APPD.
4					TITLE : DC POWER JACK				UNIT : mm	DRWG NO.: XJ-DR-DS404-00
3	PLUG PIN	BRASS STRIP	2	Ag PLATED OVER Ni PLATED	MODEL: DS-404				SCALE: 3 : 1	DWN. ZHOUYU 2003-4-15
2	TERMINAL	BRASS STRIP	2	Ag PLATED OVER Ni PLATED	ALL MATERIALS MUST BE COMPLIANT TO ROHS				CHK'D FANGYING	2003-4-15
1	CASE	NYLON	1	BLACK					APPD. KANGXINAN	2003-4-15
NO.	PARTS	MATERIALS	Q'TY	FINISH						